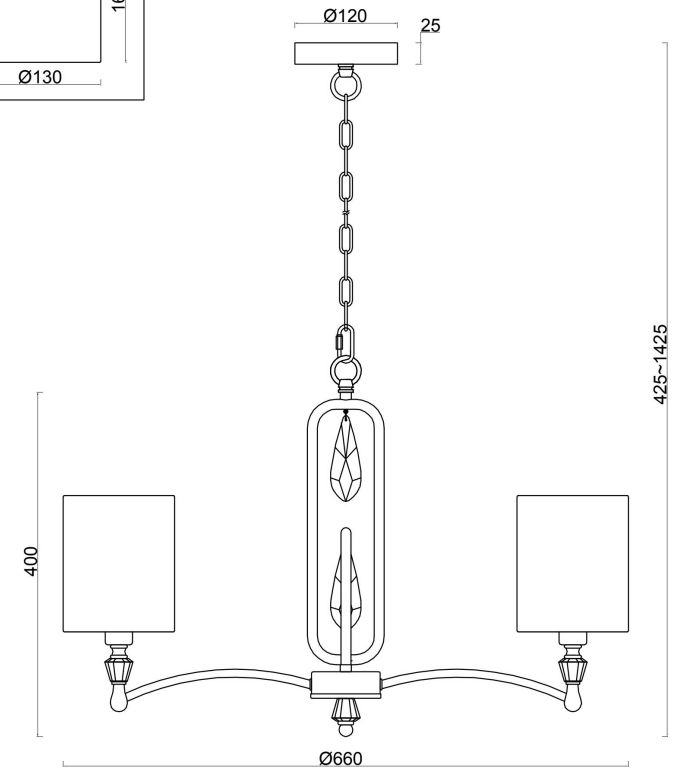
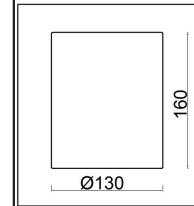
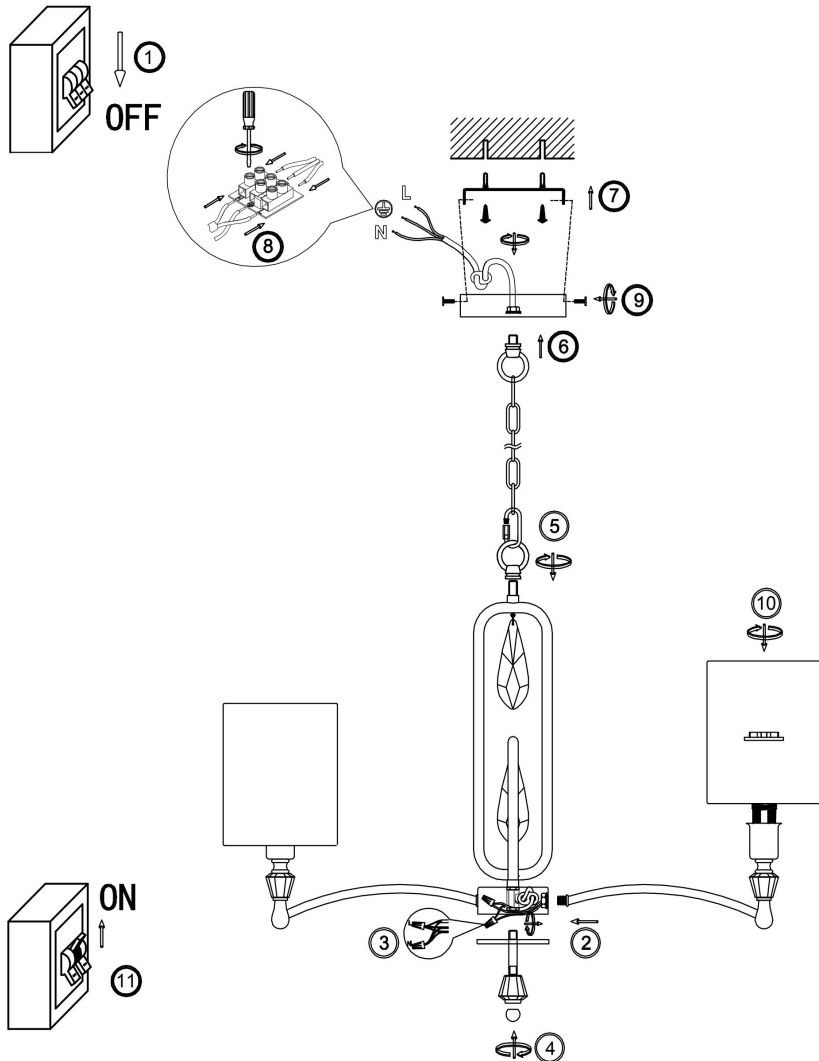




**FREYA**  
TRADITION OF QUALITY

# Instruction

FR1007PL-05N



5xE14 40W

Model: FR1007PL-05N

Collection: Crystal



Pendant Lamps